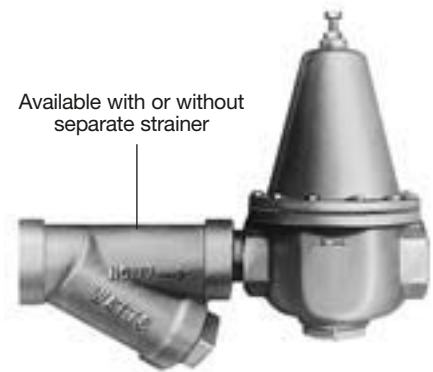


Series 223, 223S

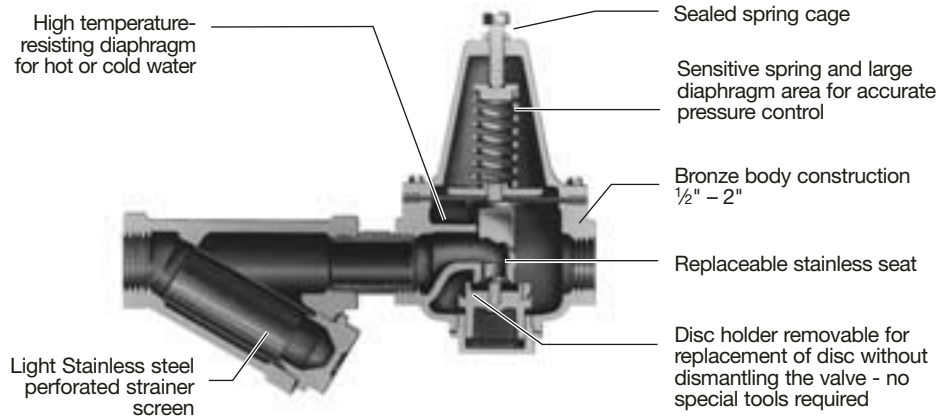
Super Capacity Water Pressure Reducing Valves

Sizes: 1/2" – 2 1/2" (15 – 65mm)

Series 223 and 223S Super Capacity Water Pressure Reducing Valves are designed to reduce incoming water pressure to a sensible level to protect plumbing system components and reduce water consumption. This series is suitable for water supply pressures up to 300psi (21 bar) and may be adjusted from 25 – 75psi (172 – 517 kPa). The standard setting is 50psi (345 kPa). Series 223 features an enlarged diaphragm, spring cage and seat orifice for super capacity performance. Series 223S has the same options as the 223, except it is furnished with a strainer. All parts are quickly and easily serviceable without removing the valve from the line. The optional bypass feature permits the flow of water back through the valve into the main when pressures, due to thermal expansion on the outlet side of the valve, exceed the pressure in the main.



Available with or without separate strainer



High temperature-resisting diaphragm for hot or cold water

Sealed spring cage

Sensitive spring and large diaphragm area for accurate pressure control

Bronze body construction 1/2" – 2"

Replaceable stainless seat

Disc holder removable for replacement of disc without dismantling the valve - no special tools required

Light Stainless steel perforated strainer screen

Features

- Enlarged diaphragm, spring cage and seat orifice for super capacity performance
- Bronze body construction (except 2 1/2" which is iron)
- Serviceable in line
- Series 223S furnished with separate strainer
- Optional bypass feature controls thermal expansion pressure*
- Sealed spring cage on all models for outdoor/waterworks pit installations

Models

- 223 NPT threaded female inlet x NPT threaded female outlet
- 223-S NPT threaded female inlet x NPT female threaded outlet with strainer

Options

- B Built-in bypass feature
- LP Low pressure range 10 – 35psi (5.27 – 8.79 bar)
- HP High pressure range, reduced range shown below:

REDUCED PRESSURE RANGE - SUFFIX HP			
Size		Range	
in.	mm	psi	bar
1/2	15	50-145	3.52-10.19
3/4	20	50-145	3.52-10.19
1	25	50-145	3.52-10.19
1 1/4	32	50-120	3.52-8.44
1 1/2	40	50-95	3.52-6.68
2	50	50-95	3.52-6.68
2 1/2	65	50-95	3.52-6.68

Pressure – Temperature

Temperature Range: 33°F – 160°F (5°C – 71°C)

Maximum Working Pressure: 300psi (21 bar)

Adjustable Reduced Pressure Range: 25 – 75psi (172 – 517 kPa)

Standard Reduced Pressure Setting: 50psi (345 kPa)



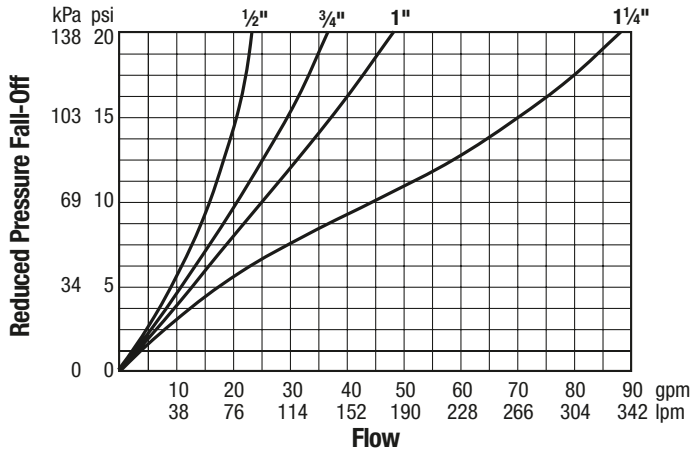
Standards

1/2" – 2" (15 – 50mm) meets requirements of ASSE Standard 1003; (ANSI A112.26); CSA Standard B356; Southern Standard Plumbing Code, Military Standard MIL-V-18146B and listed by IAPMO.

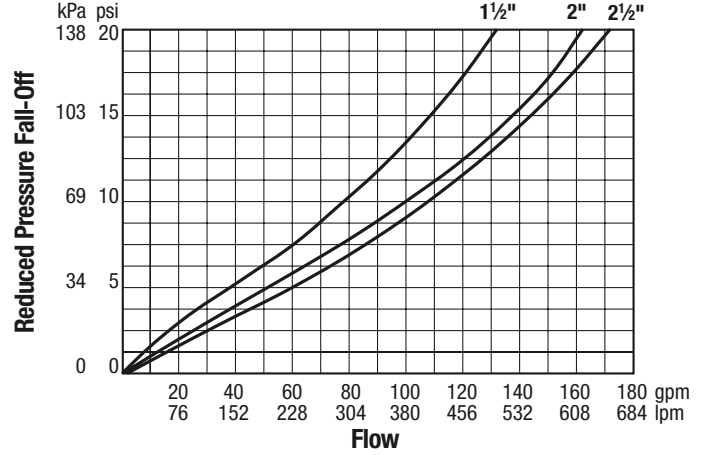
*Bypass will not work if inlet pressure is above 150psi (10.34 bar)

Capacity

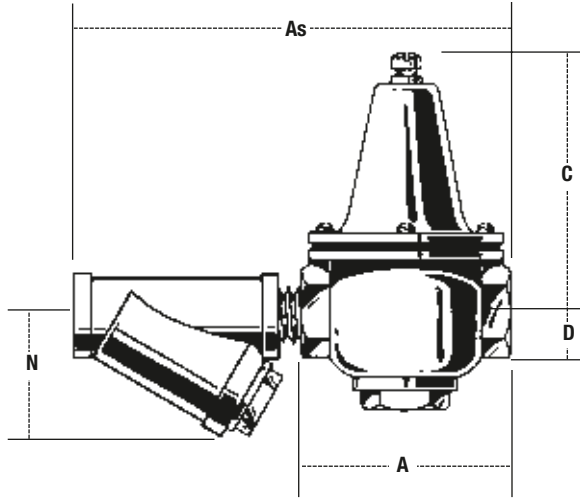
Series 223 sizes 1/2", 3/4", 1", 1 1/4" (15, 20, 25, 32mm)



Series 223 sizes 1 1/2", 2", 2 1/2" (40, 50, 65mm)



Dimensions — Weights



SIZE (DN)		DIMENSIONS (APPROX.)								WEIGHT					
		A (223)		As (223S)		C		D		N (223S)		223		223S	
in	mm	in	mm	in	mm	in	mm	in	mm	in	mm	lbs.	kg.	lbs.	kg.
1/2	15	4 1/4	108	9	229	6 1/4	159	2	50	2 1/2	64	4.5	2.0	6	2.7
3/4	20	4 1/4	108	9	229	6 1/4	159	2	50	2 1/2	64	5	2.3	6.5	2.9
1	25	4 3/4	121	10 15/16	262	6 1/2	165	2 1/8	54	2 15/16	75	7	3.2	9.5	4.3
1 1/4	32	5	127	11 15/16	287	6 3/4	172	2 3/4	70	3	76	9	4.1	12	5.4
1 1/2	40	6 3/4	171	14 3/4	375	9 7/8	251	2 3/4	70	3 7/16	87	19.5	8.8	23.5	10.7
2	50	8	203	16 3/4	425	10 3/4	273	3 3/8	86	4	102	30	13.6	37.5	17.0
2 1/2	65	9	229	20 1/8	511	10 3/4	273	3 3/8	86	5	127	32.5	14.8	59	26.8